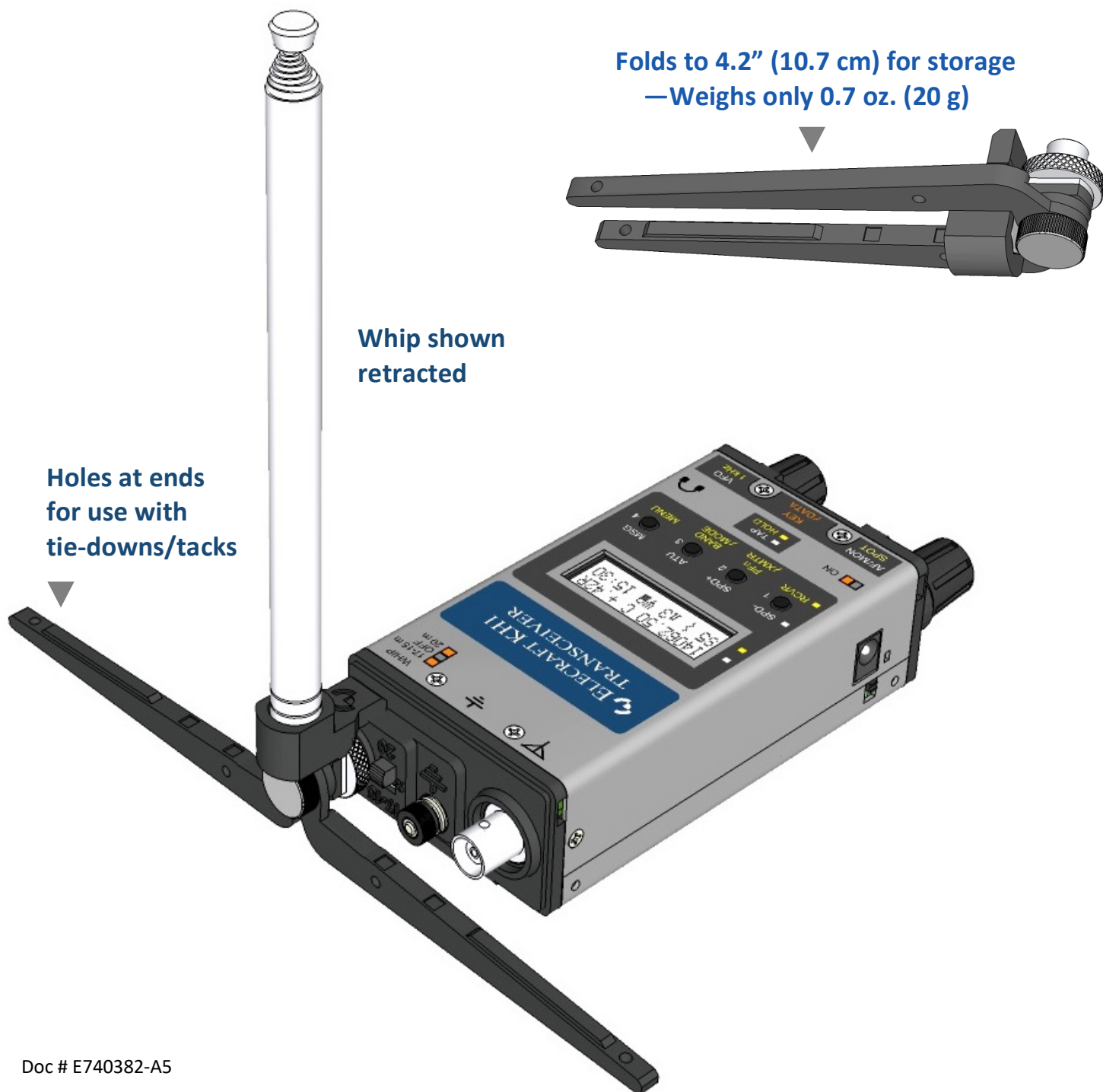


ELECRAFT® KHRA1

RIGHT-ANGLE WHIP MOUNT

for the KH1 TRANSCEIVER

The KHRA1 allows you to use the KH1's built-in whip antenna on a picnic table or other flat surface. It provides a secure electrical connection as well as folding legs to stabilize the transceiver in windy conditions. Great for Parks On the Air (POTA), camping, or day trips.



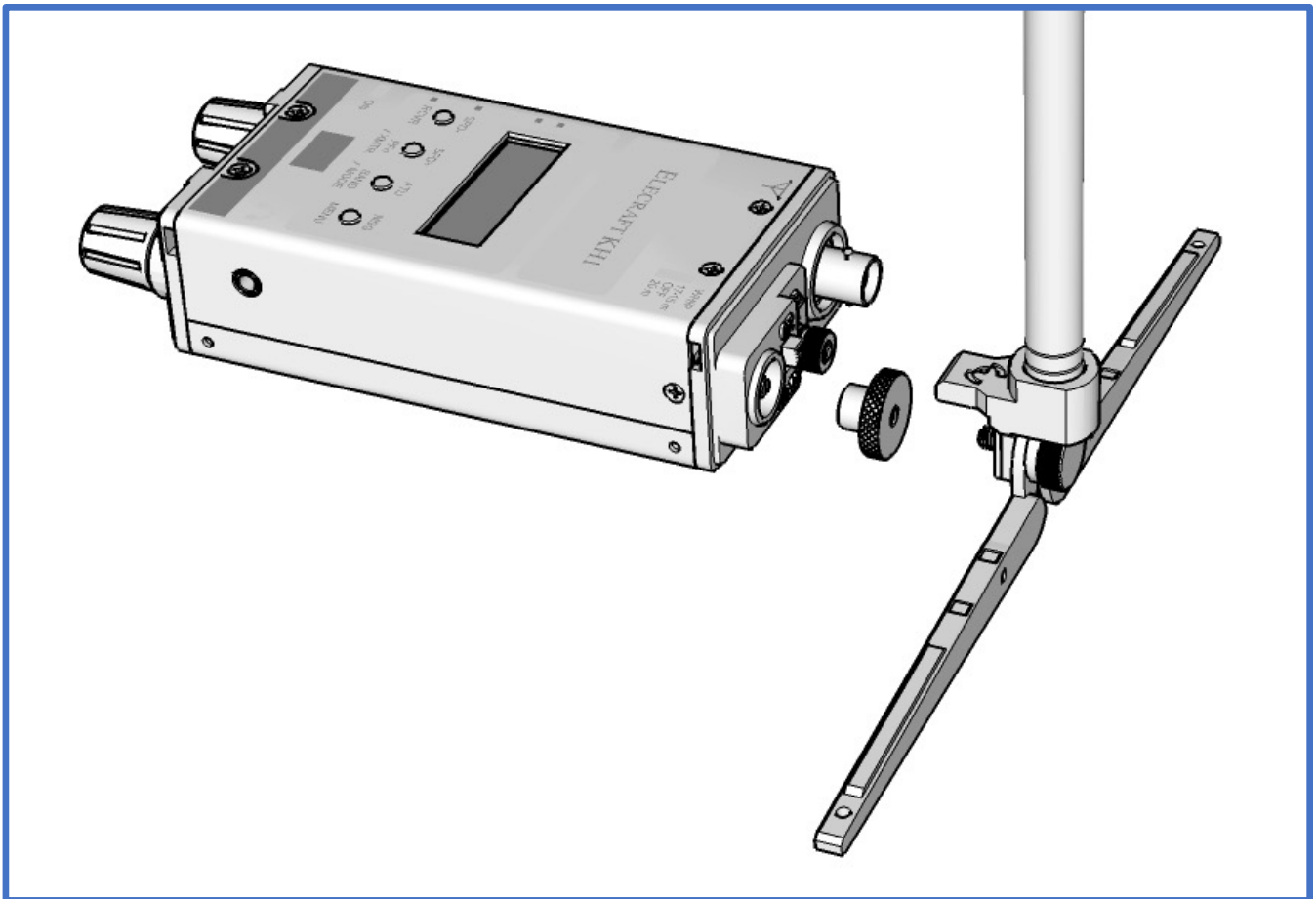
USING THE KHRA1

STEP 1: Unthread the large metal thumb nut from the KHRA1 (shown detached in the illustration below). Then thread it onto the KH1's whip antenna post.

NOTE: *While the metal thumb nut is detached from the adapter assembly, the remaining parts may become separated. To prevent this, hold them together by pressing on the plastic thumb screw.*

STEP 2: Thread the plastic thumb screw into the metal thumb nut. Once the thumb screw is partly threaded in, fold the legs outward as shown. The thumb screw can then be tightened. An extension on the adapter's housing will rest on the adjacent edge of the KH1's nylon top panel to prevent rotation.

STEP 3: Thread the whip into the adapter. The whip should always be extended to its full length.



OPERATING TIPS

- **If conditions are poor or if greater range is required, consider a longer/higher antenna.** The KH1's built-in whip is intended for quick deployment or when no trees or other supports are available.
- **The whip supplied with the KH1 can be stored attached to the KHRA1 adapter, with legs folded up.**
- **Metallic or damp surfaces may alter antenna load impedance, especially on the highest bands.** The ATU can be used to compensate. If the SWR is still very high (> 4:1), switch to the low power setting. In some cases the match may be improved by using a second, shorter radial. 10 ft (3 m) is a good starting point. (Elecraft p/n E770091 is 33' [10 m] of insulated wire that can be cut to any desired length.)