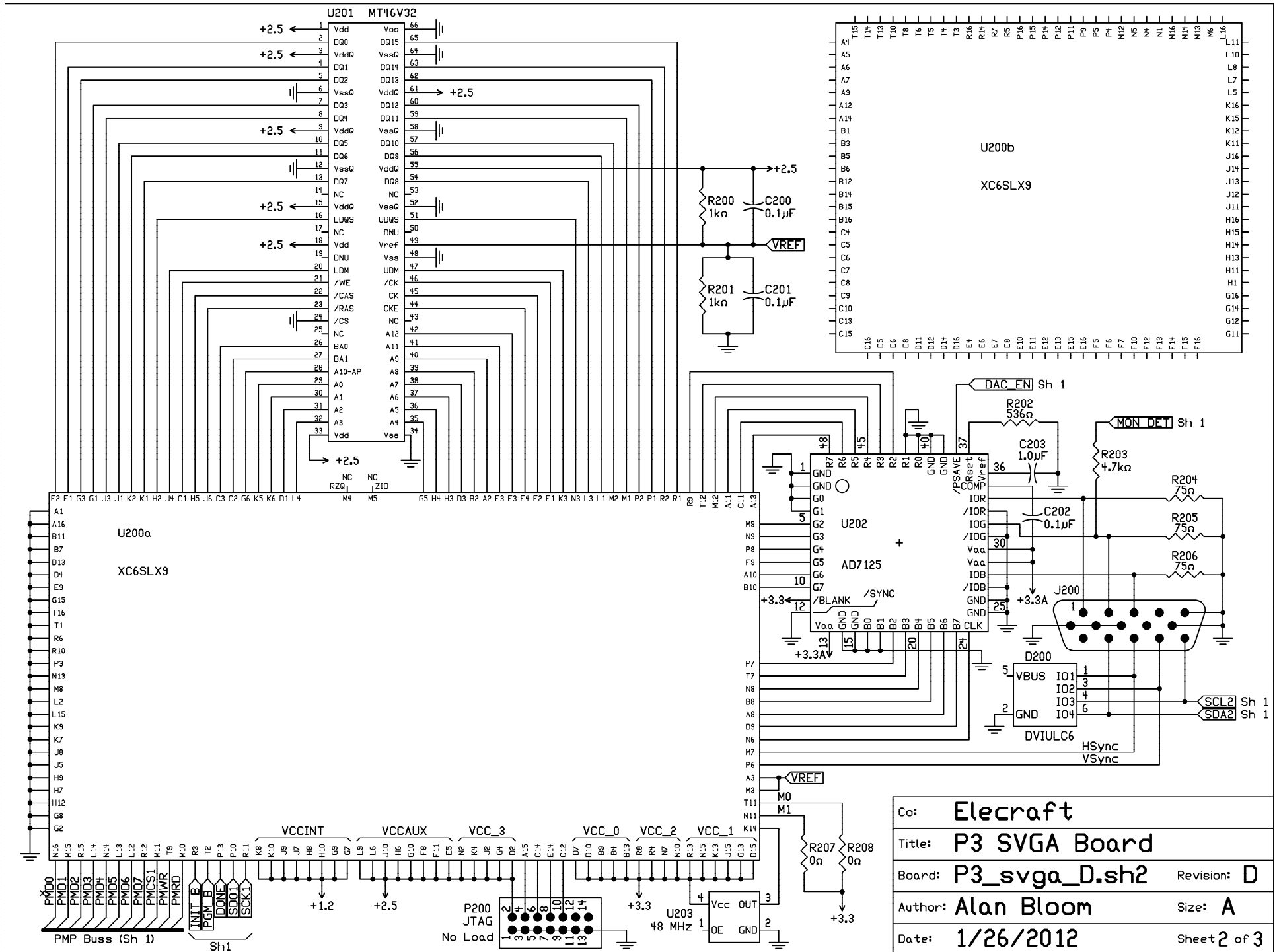
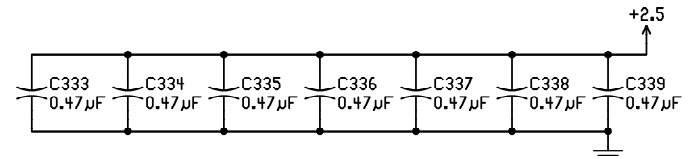
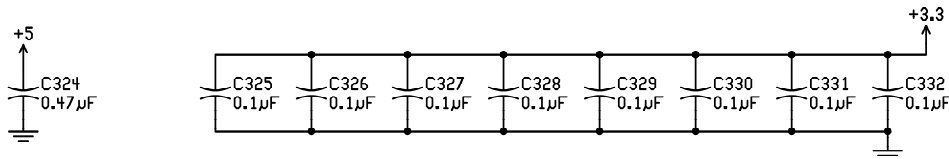
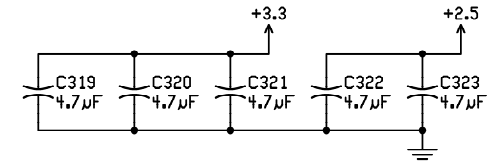
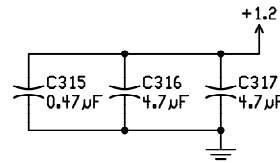
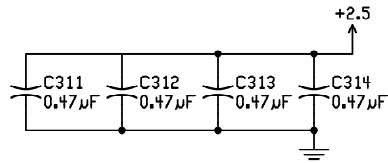
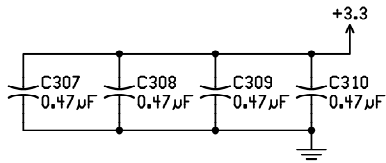
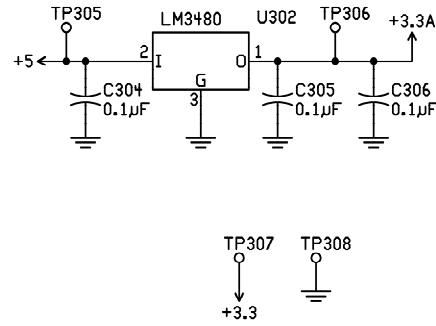
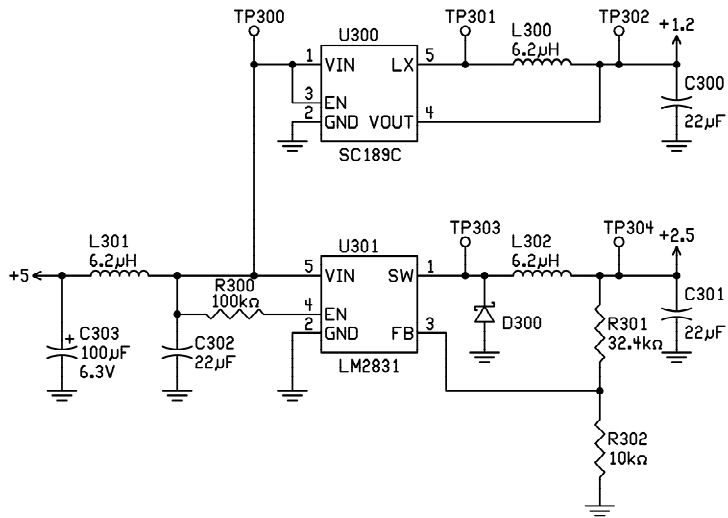


Co:	Elecrafft		
Title:	P3 SVGA Board		
Board:	P3_svga_D.sh1	Revision:	D
Author:	Alan Bloom	Size:	A
Date:	1/26/2012	Sheet	1 of 3



Co:	Elecrafit		
Title:	P3 SVGA Board		
Board:	P3_svga_D.sh2	Revision:	D
Author:	Alan Bloom	Size:	A
Date:	1/26/2012	Sheet	2 of 3



Co:	Elecrafft		
Title:	P3 SVGA Board		
Board:	P3_svga_D.sh3	Revision:	D
Author:	Alan Bloom	Size:	A
Date:	1/26/2012	Sheet	3 of 3