



11/1/23

## FT-710 Firmware Update Information

Download the FT-710 [FT-710\_Firmware\_update\_202310.zip] from the following website:  
<https://www.yaesu.com/indexVS.cfm?cmd=DisplayProducts&ProdCatID=102&encProdID=615ADFEAB5EDBC65EBE1D64835F209DB&DivisionID=65&isArchived=0>

[FT-710\_Firmware\_update\_202310]zip Contains:

- |   |                               |                      |
|---|-------------------------------|----------------------|
| • <b>MAIN: V01-11</b>                     | <b>/FT-710_MAIN_V0111.SFL</b> | <b>11/1/23 (New)</b> |
| • DISPLAY: V01-08                         | /FT-710_DISPLAY_V0108.SFL     | 7/5/23               |
| • DSP: V01-01                             | /FT-710_IFDSP_V0101.SFL       | 3/27/23              |
| • SDR: V01-04                             | /FT-710_SDR_V0104.SFL         | 3/27/23              |
| • Firmware_Ver_Up_Manual_ENG_FT-710_2211A |                               | 11/14/22             |

### Implements improvements:

1. Compatible with SCU-LAN10.
2. Fixed the issue when changing the MCH from a hand microphone would not save correctly.
3. Changed the popup display when receiving a CAT command.
4. Fixed the issue where TSQL was enabled even in other than FM mode.
5. Other functional improvements and optimizations have been made.

## **SD Card Preparation**

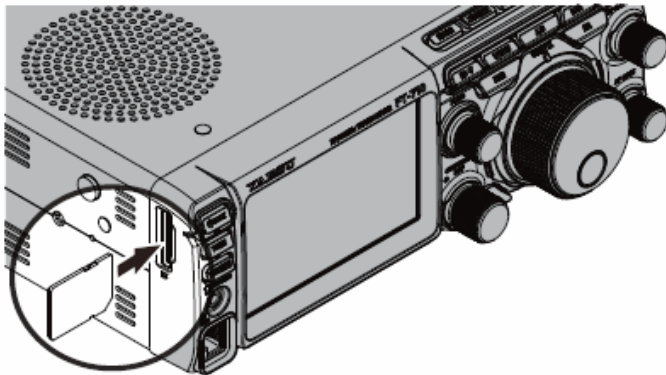
Refer to FT710 Operation Manual (2209E-AS) Page 68 [Formatting a SD card].

### **• Installing the SD card**

1. Turn OFF the transceiver.
2. Insert the SD card into the SD card slot, with the contact face on the rear, until a click sound is heard.



To prevent the SD card from popping out, insert and remove the SD card firmly.



### **• Formatting a SD card**

When using a new SD card, format it according to the following procedure.



Formatting a microSD card erases all data saved on it. Before formatting the microSD card, be sure to check the data previously saved on it.

1. Press the [FUNC] knob.
2. Select [EXTENSION SETTING] → [SD CARD].
3. Touch "DONE" on the "FORMAT" item.  
The format confirmation screen will be displayed.
4. Touch "OK", the SD card will be initialized.  
Touch "CANCEL" to cancel the initialization.
5. "FORMAT COMPLETED" will be displayed when initialization is completed.
6. Touch the screen to end formatting.
7. Touch [BACK] several times to return to normal operation.

## Downloading the Firmware

1. Download the "FT-710\_Firmware\_update\_xxxxxx.zip" compressed file from the YAESU website.
2. Unzip the downloaded file.

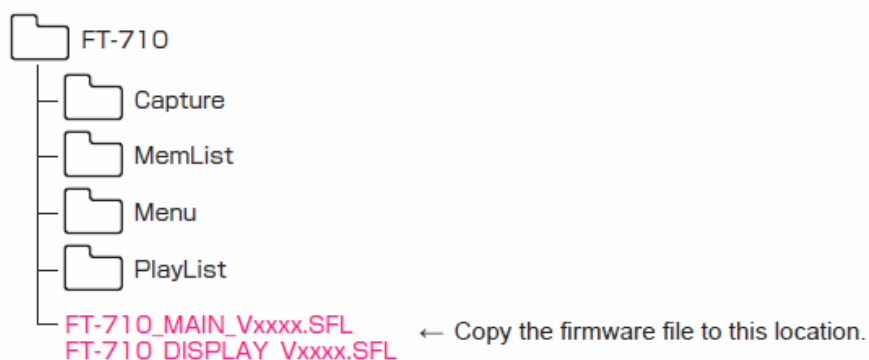
Using a PC with Windows OS, right click on the downloaded "zip" file. The "Extract All Contents Menu" will extract the contents of the zip file into a new folder, and then open the new folder.

The firmware file (extension is SFL) is in the "FT-710\_Firmware\_update\_xxxxxx" folder that is generated at the time of extraction.

3. Copy the firmware to an SD card that has been previously formatted in the FT-710.

**Note: Copy the file directly under the "FT-710" folder.** Do not copy it into the "Capture", "MemList", "Menu" or "PlayList" folder. If the file is copied to a location other than under the "FT-710" folder, the FT-710 cannot be updated, as it will not recognize the file.

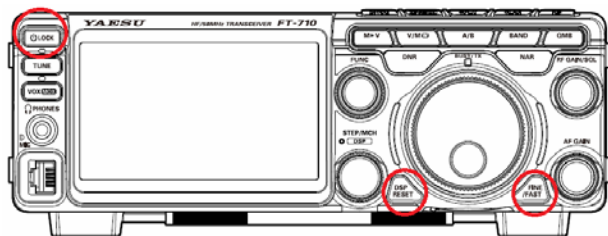
The folder configuration on the SD card formatted with FT-710 is shown below.



## How to Confirm the Firmware Version

Complete update of DISPLAY firmware first, then install updates of MAIN, DSP and SDR firmware. Refer to FT-710 Firmware Upgrade Manual

After installing the firmware completely, the FT-710 must be reset: Turn the Main Power OFF, then press [DSP REST] and [FINE/FAST] buttons together, while pressing the Main Power ON. Main frequency display 7.000.000 MHz will appear.



If you already have the above firmware versions, it is not necessary to update the FT-710 again.

We hope this new firmware will increase your enjoyment of your FT-710. Thank you for choosing Yaesu radios. If you have any problems or questions, please contact Yaesu Amateur Tech Support [amateurtech@yaesu.com](mailto:amateurtech@yaesu.com).