

SCCo ARES/RACES Data Network Subscriber Network Examples

Revised: 16-Mar-2019

Overview

- The following network diagrams provide ideas for how to connect to the SCCo ARES/RACES data network
- Several examples are shown (large, medium, small)
- The diagrams are highly stylized
 - They show general connectivity without clutter
 - Subscribers may choose to use redundant network components, making the actual connectivity much more complicated
 - For subscribers that are co-located with one of the network hub sites, an Ethernet connection is used instead of the radio connection
- The examples are not exhaustive
 - There are an infinite number of possible configurations; these are just a few

Icons

The diagrams use the following icons



Firewall



Server



Radio



PC



Router



Printer

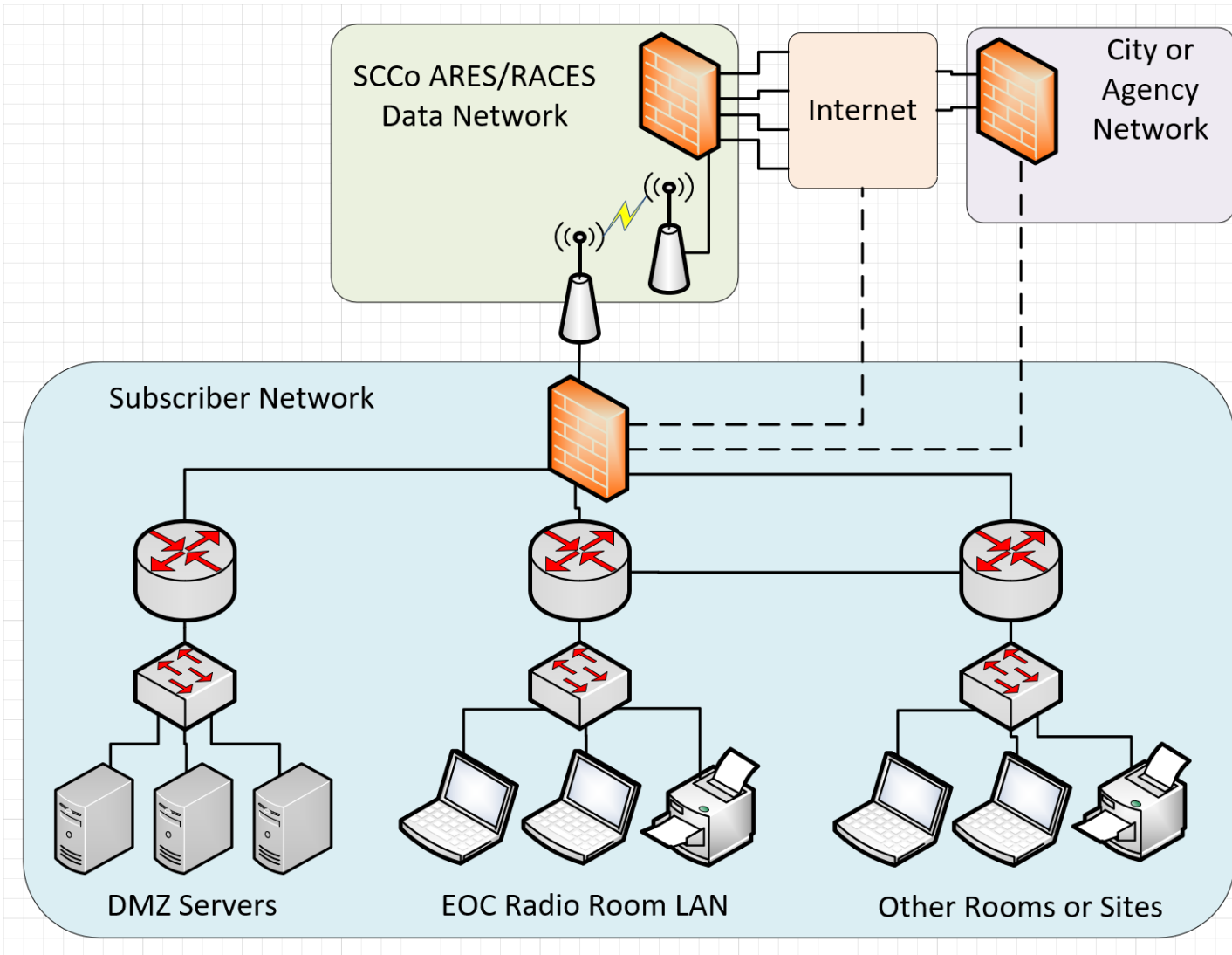


Switch

Large Network

- Existing multi-site network
- Might have its own connection to the local city network
- Might have its own connection to the Internet
- Might have its own servers
 - File, web, VoIP phone, e-mail, DNS, ...
- Likely (or should be) using an Enterprise-class firewall
 - Advanced layer 4-7 packet inspection
 - Intrusion prevention measures, anti-X (SPAM, virus, ...) capabilities
 - Higher performance

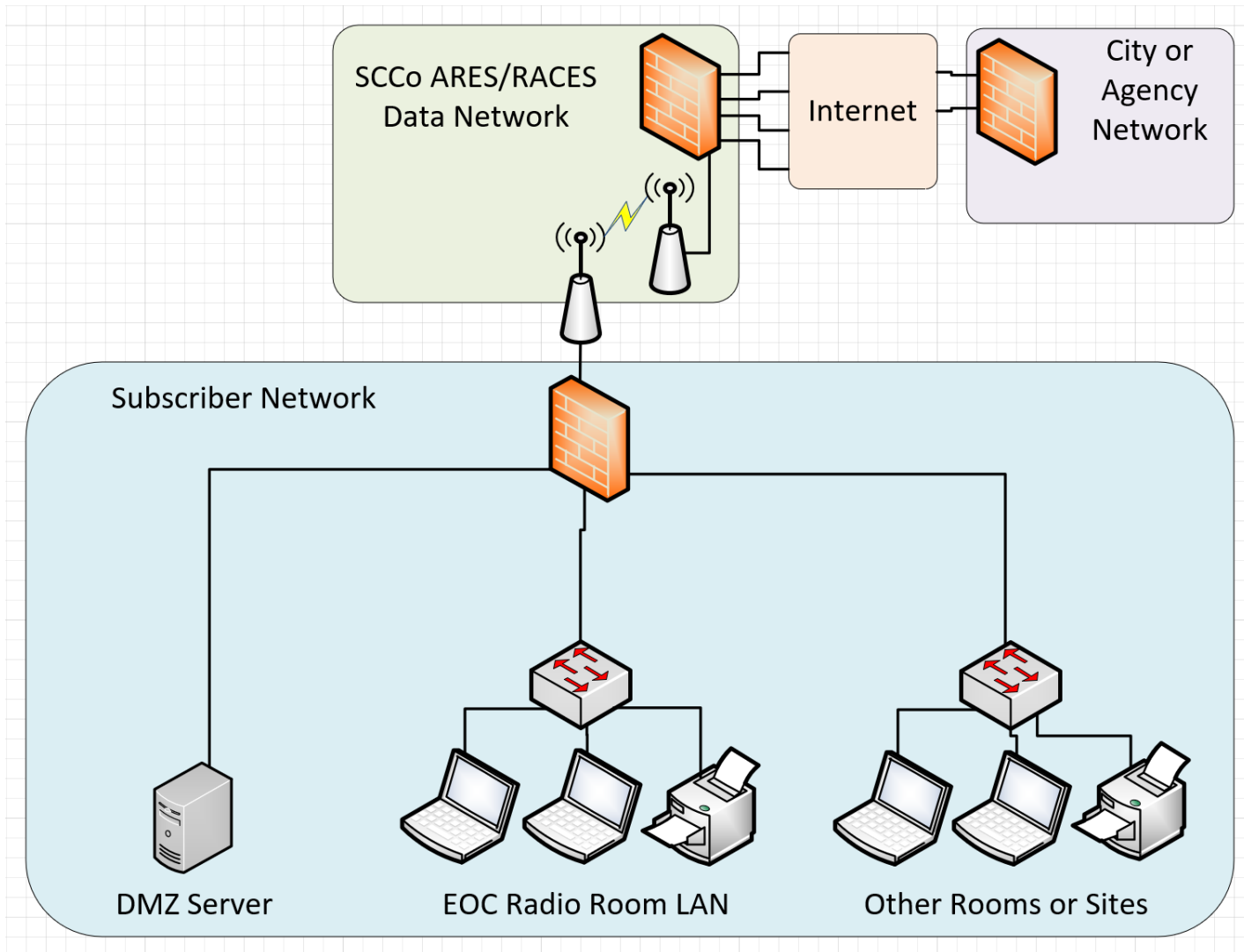
Large Network



Medium Network

- Existing single site or multi-site network
- Might not have connections to other networks
- Might have a local server
- Likely using a small/medium business firewall
 - More advanced scanning than consumer-grade
 - Not as sophisticated as Enterprise-grade
 - Medium performance

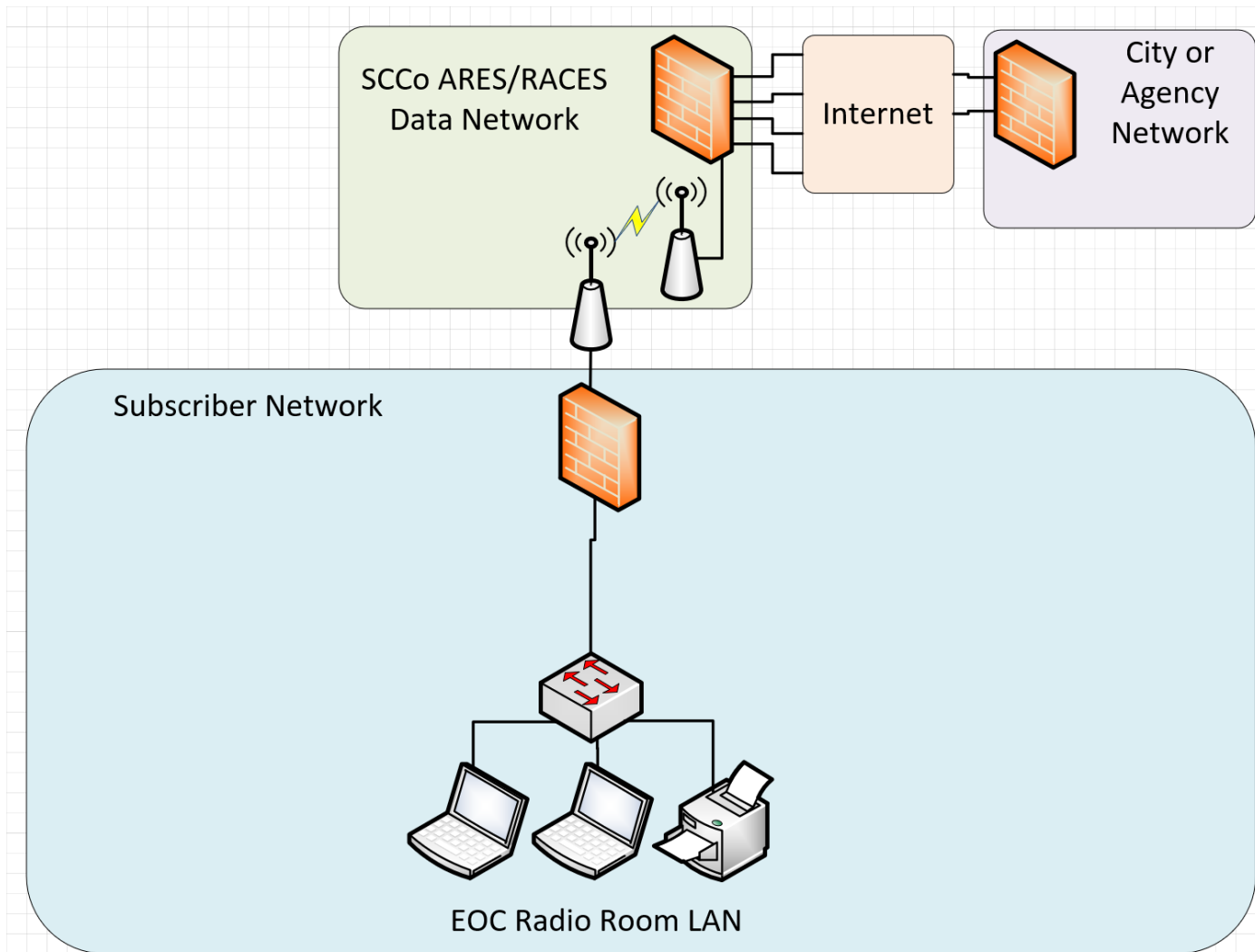
Medium Network



Small Network

- Single site radio room with a few devices
- Probably no connections to other networks
- Probably no local servers
- Likely using a consumer-grade firewall

Small Network



Unsecure LAN (Not Recommended)

- Each subscriber is responsible for their own network security
- We strongly advise AGAINST connecting PCs and other equipment to the network without a firewall
- Doing so puts the site at risk from malicious actors or software that could exist at other subscriber sites
 - For ease of deploying services, the SCCo ARES/RACES Data Network does not prohibit one subscriber from connecting to services offered by another subscriber
- The subscriber is also subject to whatever may get past the SCCo network firewalls
 - The SCCo network firewalls are configured to protect the core network
 - Operator error and software bugs happen

Unsecure LAN (Not Recommended)

