



USE AND DISTRIBUTION NOTICE

- Santa Clara County RACES authorization is granted to use and duplicate this material as-is, as long as this page and the copyright notices on each page are included, acknowledging Santa Clara County ARES/RACES as the holder of the copyright.
- Permission is granted to adapt this presentation to your needs as long as you acknowledge our copyright and include a note similar to "adapted with permission from Santa Clara County ARES/RACES."
- For additional information on training or any of our programs, send an email to: info@scc-ares-races.org


Copyright 2014 Santa Clara County ARES/RACES. All rights reserved.

1

2014 Year End Summary

Updates and Review



Santa Clara County ARES®/RACES

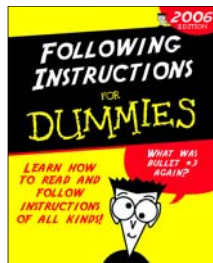
Revised: 19-Dec-2014

Copyright 2014 Santa Clara County ARES/RACES. All rights reserved.

2

Housekeeping

- Refreshments
- Pen/pencil & paper
- Cell phones & pagers
- Side conversations
- Questions
- Breaks
- Restrooms
- In case of emergency





Copyright 2014 Santa Clara County ARES/RACES. All rights reserved.

3

Agenda


- An update on changes that have occurred during the past year, plus a review of some key procedures.
- Topics covered:
 - Packet Operations
 - Net Control
 - Message Passing
 - ... and, for extra fun, a quiz!

Copyright 2014 Santa Clara County ARES/RACES. All rights reserved.

Packet Network Update

2014 Year End Summary



Santa Clara County ARES®/RACES

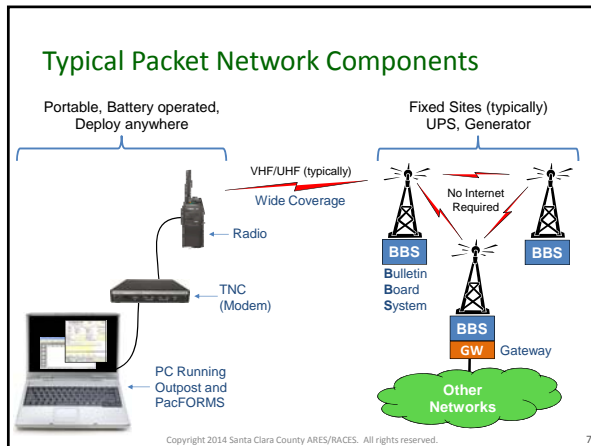
Revised: 19-Dec-2014

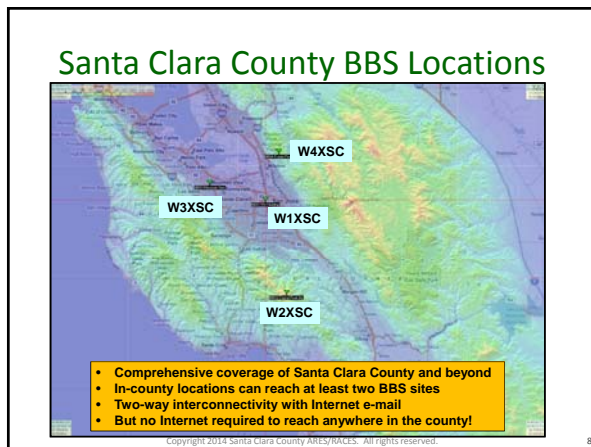
Copyright 2014 Santa Clara County ARES/RACES. All rights reserved.

Agenda

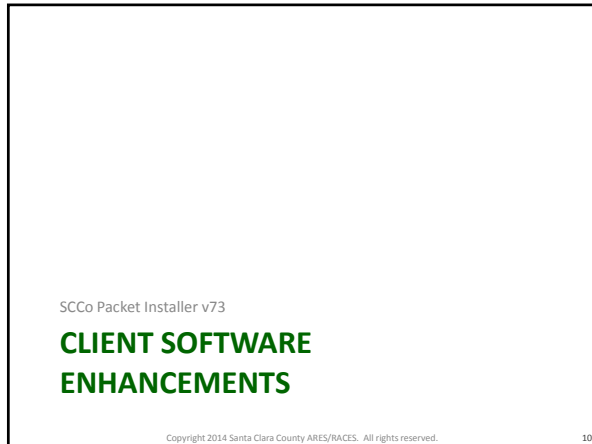
- Packet Overview
- Client Software: SCCo Packet Installer v73
- BBS Functionality
- Network Connectivity

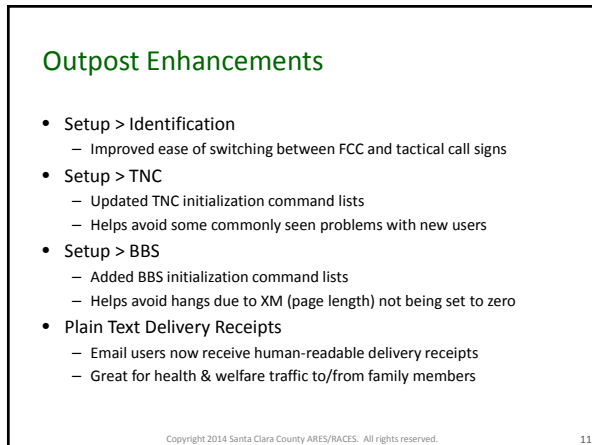
Copyright 2014 Santa Clara County ARES/RACES. All rights reserved.

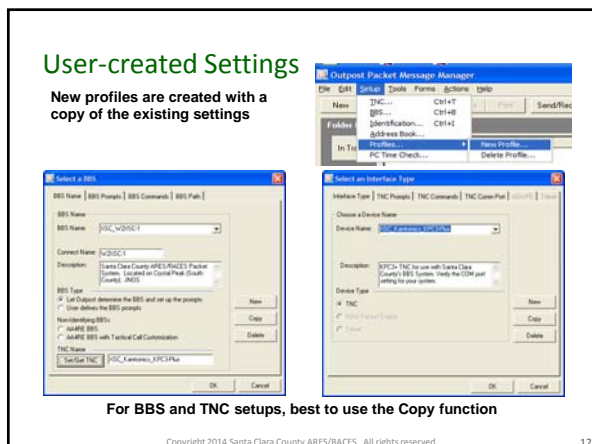




- ### Why Packet?
- Fast
 - 20 seconds to send error free message (vs. 2-3+ min. by voice)
 - Accurate
 - No hearing, transcription, copying, logging, legibility problems
 - Deployable
 - Anywhere in the county; VHF doesn't need strict line of sight
 - Reliable
 - UPS and Generator at all hub sites
 - Reach at least two BBSs from anywhere in the county
 - Meets agency needs for EmComm
 - PacFORMS reproduces format of standard county forms
 - Plain text for quick message or cut-and-paste data from other apps
 - E-mail gateway for health & welfare traffic to families
- Copyright 2014 Santa Clara County ARES/RACES. All rights reserved.







Outpost Enhancements (cont.)

- Session Monitoring
 - Session status now visible in the Status Line at the bottom of the main Outpost window
- Message size increased to 65 kB
 - Improves ability to cut-and-paste data from other applications
 - Enables manual UUENCODE attachments (caution!)
- Consistent use of “P” suffix
 - Indicates Outpost-generated message number
- Improved “Send” button placement

Copyright 2014 Santa Clara County ARES/RACES. All rights reserved.

13

PacFORMS and Other Enhancements

- PacFORMS Changes
 - All users
 - Minor typo-fixes
 - ECs, AECs
 - RIMS forms have been removed
 - Hospital net
 - Updated hospital forms
- Web Site / Documentation changes
 - Main packet page
 - <http://www.scc-ares-races.org/packet.html>
 - Configuration and Setup Instructions
 - Standard Outpost Configuration Instructions (PDF)
 - Standard TNC Parameter Settings (PDF)
 - Updated for Kenwood TH-D72A, Kantronics 9612, MFJ 1270/1274 B vs C

Copyright 2014 Santa Clara County ARES/RACES. All rights reserved.

14

More Info / Future Enhancements

- For more details on Outpost, PacFORMS or the v73 Installer
 - Main Page
 - <http://www.scc-ares-races.org/packet.html>
 - Details for Packet Installer
 - http://www.scc-ares-races.org/packet/net/Packet_Network_Update_2014-10-27_New_Installer.pdf
 - New BBS call routing
 - http://www.scc-ares-races.org/packet/net/Packet_Network_Update_2014-09-18_Tactical-Call-Routing.pdf
- Future enhancements currently being designed, implemented
 - More ease of use
 - Enhanced bulletin management
 - Enhanced profile management
 - Attachments?

Copyright 2014 Santa Clara County ARES/RACES. All rights reserved.

15

BBS FUNCTIONALITY

Copyright 2014 Santa Clara County ARES/RACES. All rights reserved. 16

JNOS Software Enhancements

- JNOS is the BBS software we use
- It continues to be actively developed/improved
- Some recent improvements to JNOS internals that were helpful to our configuration and use:
 - Improved address handling options
 - Improved logging options
 - Improved mailbox expiration options
 - Improved UDP tunneling through firewalls
 - Improved IP routing options
 - Bug fix: UTF-8 character set handling
 - Bug fix: Some outbound e-mails to Internet had missing domain

Copyright 2014 Santa Clara County ARES/RACES. All rights reserved. 17

SCCo BBS Functionality Enhancements

- Eliminated auto-forwarding of tactical calls
 - Message to all call signs, FCC or tactical now act the same
 - Standard format: callsign@bbSCALL or callsign@bbSCALL.ampr.org
 - Example: Herman Munster at W2XSC
 - w6xr14@w2xsc or w6xr14@w2xsc.ampr.org
 - Example: Xanadu EOC at W4XSC
 - xndeoc@w4xsc or xndeoc@w4xsc.ampr.org
 - If no domain (@...) is specified, message stays on the local BBS
 - Error rate of weekly check-ins is much lower now!
- Revamped internal address parsing rules
 - BBS hierarchical addresses, Internet addresses, NTS traffic, bulletins
- Improved bulletin handling
 - Bulletin area names, forwarding rules, ...

Copyright 2014 Santa Clara County ARES/RACES. All rights reserved. 18

Bulletins Overview

- Bulletins are messages that are intended for broad readership
- Bulletins content varies from amber alerts and earthquake reports to jokes and recipes
- Bulletin sender controls how widely the bulletin is distributed
 - Can be as narrow as “local” (this BBS only)
 - Can be as wide as “ww” (worldwide)!
- In JNOS, bulletins are sorted into shared areas (mailboxes) for easier reading
- This update will cover just the basics of reading bulletins
- More details will follow soon

Copyright 2014 Santa Clara County ARES/RACES. All rights reserved.

19

Bulletins – Why Do They Matter?

- Standard way to distribute information between BBSs of all types throughout the world
- Use them for fun or for emergency communications
- Use them for distributing information to broader areas:
 - Santa Clara County
 - San Francisco Bay area
 - Northern California
 - All California
 - And wider ...
- Example:
 - During the 2009 cable cut, information about anticipated service restoration times were distributed via bulletins by a ham who had information from the telecom carrier

Copyright 2014 Santa Clara County ARES/RACES. All rights reserved.

20

Bulletin Addresses

- Address format: *category@distribution*
- Category:
 - A six-character or shorter description of the main topic of the bulletin.
 - Sender picks the category based on the contents of the bulletin
 - Example categories:
 - amber – Amber alerts
 - equake – Earthquake reports
 - flood – Flood reports
 - swpc – Space Weather Prediction Center
 - humor or humour – Jokes, stories, etc.
 - Any category works on our SCCo BBSs because we sort bulletins by distribution, not category
 - Uncommon/unusual categories may be held on other BBSs until the sysop decides where it should go

Copyright 2014 Santa Clara County ARES/RACES. All rights reserved.

21

Bulletin Addresses (continued)

- Address format: *category@distribution*
- Distribution
 - A six-character or shorter keyword which defines how widely the bulletin will be distributed
 - Sender picks from a pre-defined list
 - Acceptable distributions:
 - local Local BBS only
 - xsc XSC Operational Area (Santa Clara County)
 - bay San Francisco and Monterey Bay area
 - nca Northern California (generally North of the Tahachapi Mountains)
 - ca California
 - wusa Western USA (generally, West of the Mississippi River)
 - usa United States of America
 - noam North America (Canada, USA, Mexico, ...)
 - ww worldwide

Copyright 2014 Santa Clara County ARES/RACES. All rights reserved.

22

Bulletin Addresses (continued)

- Example bulletin addresses:
 - flood@xsc
 - Information about flooding for distribution to all BBSs in Santa Clara County
 - equake@bay
 - Information about an earthquake for distribution to all BBSs in the San Francisco and Monterey Bay areas
 - equake@nca
 - Information about an earthquake for distribution to all BBSs in Northern California
 - swpc@ww
 - Space Weather Prediction Center reports for distribution to all BBSs worldwide
 - humour@ww
 - Variety of jokes and funny stories

Copyright 2014 Santa Clara County ARES/RACES. All rights reserved.

23

JNOS Command: A (Area)

Use a terminal emulator such as Ipserial or PuTTY and your TNC/Radio to connect to the BBS for reading general bulletins

1. Type the JNOS "A" command to list areas that you can read
2. Your own area (mailbox) is listed first
3. Other shared mailboxes and bulletin areas are listed next

```

[#!] >
A
Current message area is: allow
Available areas are:
other  @  @mpgsm  @mpwnt  @mstet  @lllocal
allac  @liby  @llca  @lls  @llusa  @llsa
allow
Type AF to get description of areas.
AF <name> tells more about that area.
[#!] >

```

Copyright 2014 Santa Clara County ARES/RACES. All rights reserved.

24

JNOS Command: AF (Areas Full)

1. Use "AF" to list descriptions next to each area name
2. (To: ...) shows how to address messages to xsc-specific areas
3. (To: ...) shows how to address messages to general bulletin areas
4. Bulletin addresses include a category

```
(#) >
AF
Current message area is: 0000F
Available areas are:
0000F    Your private mail area
# Santa Clara County Op Area Shared Mailboxes
#operation    Operation, Configuration and other Permanent Info (To: #operation)
#event        Emergency Incident and Public Service Event Info (To: #event)
#wrotext      Text and Training (To: #wrotext)
# General Bulletin Areas by Distribution
#all000      All categories, this BBS only (no distribution) (To: #cat@local)
#all000      All categories, Santa Clara Co distribution (To: #cat@sc)
#all000      All categories, SF & Monterey Bay distribution (To: #cat@sbay)
#all000      All categories, Northern California distribution (To: #cat@noca)
#all000      All categories, California distribution (To: #cat@ca)
#all000      All categories, Western USA distribution (To: #cat@wusa)
#all000      All categories, USA distribution (To: #cat@usa)
#all000      All categories, Worldwide distribution (To: #cat@ww)
# <cat> A short (max 6 char) category like "quake", "flood", "wa", ...
# HELP A Help using the area command
#BY >
```



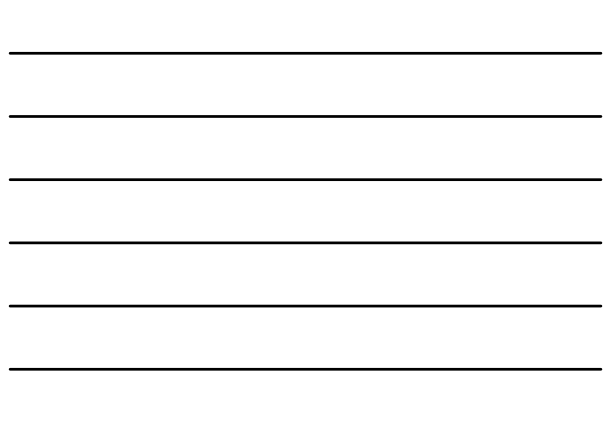
JNOS Command: LA (List All)

1. Use "A" to change area to "allww"
2. Wow, that's a lot
3. Set page length
4. List All
5. JNOS pauses
 - <SPACE> to continue
 - <ESC> to quit

Note:

- Outpost will hang if XM is not set to 0 (zero).
- SCCo Packet Installer v73 includes BBS initialization files which send "XM 0" when it connects. This eliminates hangs if you forget to reset XM back to 0.

```
(#) >
A ALLW
allww: 74 messages - 73 new.
(#) >
NO 24
LA
Mail area: allww
74 messages - 73 new
Dt. # TO FROM DATE SIZE SUBJECT
# 1 #p@sbw ca2aa Nov 24 4199 Geophysical Alert Message (000)
# 2 #p@sbw ca2aa Nov 24 3059 Report of Solar-Geophysical Activity
# 3 #p@sbw ca2aa Nov 24 3946 Daily Space Weather Indices
# 4 tech@w g0my Nov 27 4550 2m Wsl Quad you can build
# 5 tech@w g0my Nov 27 2140 2m Wsl Jan
# 6 tech@w g0my Nov 27 2124 2m Jaybeam L&J Colinear
# 7 ham@w g0pyw Nov 27 4993 Joke# 27/11
# 8 tod@w lw000 Nov 27 3905 Antaresaris ID-SAT Qui Espoital.
# 9 tod@w lw000 Nov 27 3908 Que es la Radiacion?....
# 10 #p@sbw ca2aa Nov 27 4199 Geophysical Alert Message (000)
# 11 #p@sbw ca2aa Nov 27 3059 Report of Solar-Geophysical Activity
# 12 tod@w lw000 Nov 27 1479 Radiat onk Premio Nobel N061.
# 13 tod@w lw000 Nov 27 3012 ISEE-3 Have Detected par X30PM
# 14 tod@w lw000 Nov 27 1849 Radiacion desde la LON.
# 15 #p@sbw ca2aa Nov 27 3945 Daily Space Weather Indices
# 16 tod@w lw000 Nov 27 1940 Radiation Meter (RSEM) Experimental
# 17 tech@w g0my Nov 28 8043 AF 2 Tone Test Geo Design
# 18 tech@w g0my Nov 28 4897 Band 2 4el Harrowband Yagi
# 19 tech@w g0my Nov 28 5632 Band 2 4el Harrowband Yagi
# 20 ham@w g0pyw Nov 28 10418 Joke# 28/11
# 21 #at@sbw ca2aa Nov 28 7528 AMSAT-SS-digest V9 401
# 22 #p@sbw ca2aa Nov 28 4199 Geophysical Alert Message (000)
# 23 #p@sbw ca2aa Nov 28 3561 Report of Solar-Geophysical Activity
--more--
(#) >
```



JNOS Command: LF (List Filtered)

1. Use L> to List Filtered by To: address

```
(#) >
L> quake
Mail area: allww
74 messages - 72 new
Dt. # TO FROM DATE SIZE SUBJECT
# 31 quake@w ca2aa Nov 29 2179 NCCOCCA SEA
# 53 quake@w ca2aa Dec 1 2124 CARLSBERG RIDGE
(#) >
```



JNOS Command: R (Read)

1. Use "R #" to read message number #
2. JNOS pauses again, based on XM setting

```

(R#) >
R 53
Message #53
Date: 01 Dec 14 23:07:00 GMT
From: cks2@ck2sa.scl.cny.scom
To: eqd@ck2sa
Subject: CARLSBERG RIDGE

Path: WAKSCI@RORNE/CK2SA
From: CK2SABCK2SA.SAL.DBY.SCOM
To: EQD@CK2SA

Feedback-ID: us-east-1-19340vuy51cd9Ldwjw==AmazonSES
== PRELIMINARY KARTOQAKE REPORT ==

Region: CARLSBERG RIDGE
Geographic coordinates: 1.933N, 47.702E
Elevation: 5.5
Depth: 10 Km
Universal Time (UTC): 1 Dec 2014 23:17:12Z
Time near the Epicenter: 2 Dec 2014 03:17:12Z

Location w.r.t. respect to nearby cities:
189 km (169 mi) WSW of Madhavabadoo, Maldives
100 km (167 mi) WSW of Male, Maldives
1332 km (828 mi) SWW of Rakavelli, India
--MODE--

```



More Details

- Updated "Packet Network Addressing" page

Table of Contents

- Quick Reference
 - Getting a Call Sign on any Santa Clara County BBS
 - Network Tables
 - BBS List
 - Packet Network
 - Packet Network
 - Packet Network
- Sending Packet Messages (PM)
 - Sending Packet Messages (PM) to the Santa Clara County Network
 - Sending Packet Messages (PM) to Santa Clara County Users (PM) via the Internet
 - Sending Packet Messages (PM) to Santa Clara County Users (PM) via the Internet
 - Sending Packet Messages (PM) to Santa Clara County Users (PM) via the Internet
 - Sending Packet Messages (PM) to Santa Clara County Users (PM) via the Internet
 - Sending Packet Messages (PM) to the Santa Clara County Network
 - Sending Packet Messages (PM) to the Santa Clara County Network (PM) via the Internet
 - Sending Packet Messages (PM) to the Santa Clara County Network (PM) via the Internet
 - Sending Packet Messages (PM) to the Santa Clara County Network (PM) via the Internet
 - Sending Packet Messages (PM) to the Santa Clara County Network (PM) via the Internet
- Packet Network Addressing
 - Packet Network Addressing
 - Packet Network Addressing
 - Packet Network Addressing

Santa Clara County ARES/RACES

Home | Operations | Packet Training and Events | Reference Mts. HQ | December 1, 2014

PACKET RADIO INFORMATION

Network Mts. | Presentations | Config & Setup | Contingency & Usage | Client Software | Weekly News | Training | User Group & Tech Support

Packet Network Update Notices

2014 10 27 - New SCLC Packet Network
 2014 08 18 - Change to Santa Clara County
 2014 04 01 - Call Frequencies and Other Changes

Previous Packet Network Update History

Network Info

Packet Frequencies and BBS Listings

Packet Network Addressing

Packet Site Registration Form (15K KB) (144K) - Submit BOC or other agency site details to our coverage analysis

Meet Networking

Presentations

SCLC Packet Network Update - New SCLC Packet Network (175 PDF - 421 KB) Presented at Training Net on 10/20/14, by SCLC Packet Controller Michael Fox, N4BZF

Internal Frequency List and for Dispatch (PDF - 3.8 KB) Presented at PMN on 10/20/14, by Michael Fox, N4BZF

Packet Network Update - Changes to Packet Call Routing (PDF - 227 KB) Used for Training Net on 10/20/14, by Michael Fox, N4BZF

Send an Improved Electronic Messaging System (PDF - 3.8 KB) A summary of the past three years and a look at what's next. Presented to SPCES and DVECS in January, 2014, 10/20/14, by SCLC Packet Controller

Notes of the Above Presentation, prepared by Michael Wright, N4BZF

2014 New Call Frequencies (PDF - 17.9 KB) List of New Frequency of Changes, 10/20/14, by Michael Fox, N4BZF

SCLC Packet Network Update - All Inclusive and Network Enhancements (PDF - 708 KB) A summary of new features in the all inclusive and recent changes to the network, 10/20/14, by Michael Fox, N4BZF

SCLC Packet Network Update - All Inclusive and Network Enhancements (PDF - 708 KB) A summary of new features in the all inclusive and recent changes to the network, 10/20/14, by Michael Fox, N4BZF

SCLC Packet Network Update - All Inclusive and Network Enhancements (PDF - 708 KB) A summary of new features in the all inclusive and recent changes to the network, 10/20/14, by Michael Fox, N4BZF



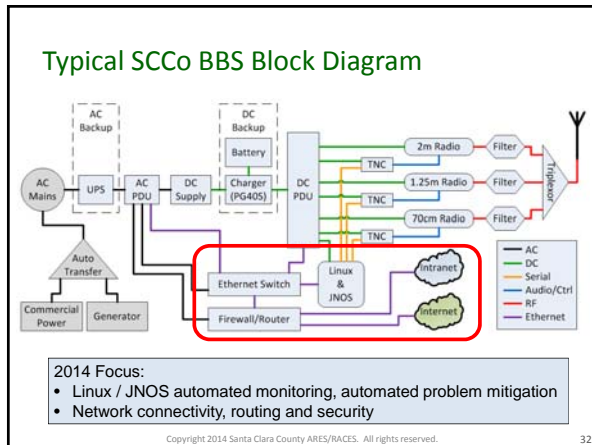
Bulletins – Current and Future

- For now, we'd like everyone to start familiarizing themselves with how to read bulletins
 - Use a terminal emulator such as Ipserial or PuTTY and browse the existing bulletins to learn what they look like and how they are used
 - Do **NOT** adjust the Outpost bulletin settings to add the general bulletin areas
 - There are far too many bulletins and some are very, very long
 - You will hog the channel for a long, long time
 - Read the Packet Network Addressing web page to learn more details about bulletin addresses.
- We're currently defining some future Outpost enhancements to help with reading more narrow subsets of bulletins
- Stay tuned for more details in the spring

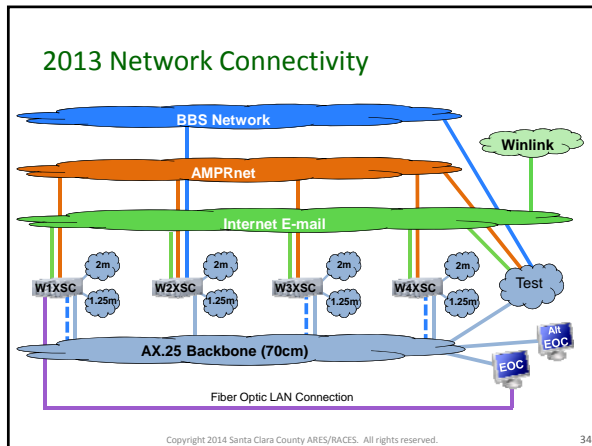


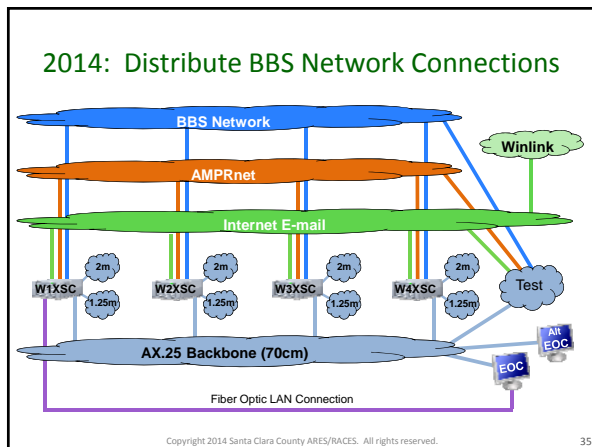
NETWORK CONNECTIVITY ENHANCEMENTS

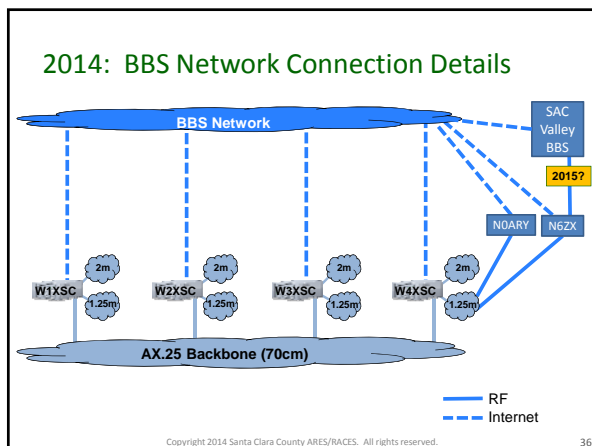
Copyright 2014 Santa Clara County ARES/RACES. All rights reserved. 31

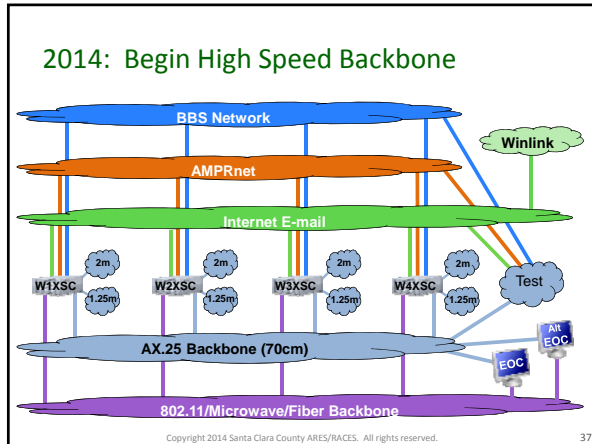


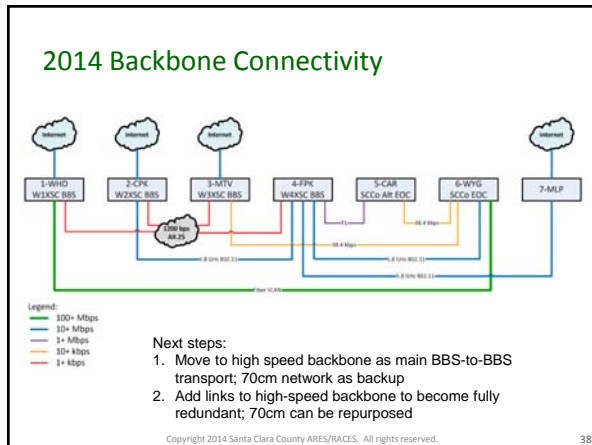
- ### 2014 Networking Focus
- Migrate to RF connectivity with other Bay area BBSs
 - NOARY – Mt. Umunhum
 - N6ZX – Woodside (covers most of San Mateo County)
 - Resulted in 220 frequency change between W2XSC and W4XSC
 - Fully distribute BBS network connections to all BBSs
 - Begin installation of redundant, high-speed backbone
- Copyright 2014 Santa Clara County ARES/RACES. All rights reserved. 33













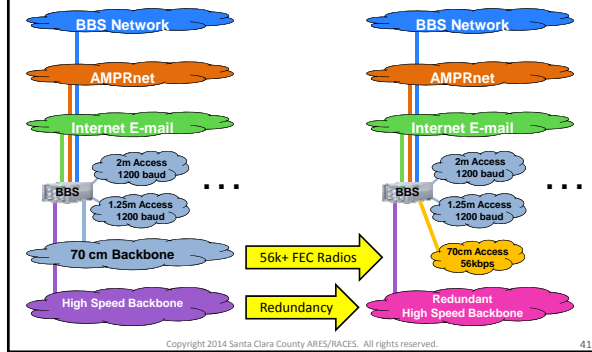
Improved Network Monitoring / Automation

- Power and environmental monitoring at mountain locations
 - AC mains, UPS, battery voltage, temperature, humidity
- Mail queue monitoring
 - Identifies problems with mail queue: hung, address processing problems
- AMPRnet routing updates
 - Improved sanity checks before applying updated routes; updates twice daily
- JNOS-to-JNOS Connectivity Watchdog
 - Runs on all BBS machines
 - Monitors responses from local and all remote SCCo BBSs
 - Restarts local JNOS if not responding
- Internet connectivity monitoring
 - Identifies loss of Internet connectivity at all sites

Copyright 2014 Santa Clara County ARES/RACES. All rights reserved.

40

Higher Speed RF Access in the Future?



Copyright 2014 Santa Clara County ARES/RACES. All rights reserved.

41

Questions / Technical Support

- Yahoo Group: scc-packet
 - <https://groups.yahoo.com/group/scc-packet>
- 180+ members
 - If you have a question about packet radio, someone on that list is bound to have an answer!
- Closed list to avoid SPAM
 - Be sure to follow instructions on the main group page to provide the correct information when you request to join

Copyright 2014 Santa Clara County ARES/RACES. All rights reserved.

42

Links

- Details for Packet Installer
http://www.scc-ares-races.org/packet/net/Packet_Network_Update_2014-10-27_New_Installer.pdf
- New BBS call routing
http://www.scc-ares-races.org/packet/net/Packet_Network_Update_2014-09-18_Tactical-Call-Routing.pdf

Copyright 2014 Santa Clara County ARES/RACES. All rights reserved. 43

END

Copyright 2014 Santa Clara County ARES/RACES. All rights reserved. 44




Net Control Review

2014 Year End Summary



Santa Clara County ARES®/RACES

Last Updated: 09-Dec-2014

ARES and Amateur Radio Emergency Service are registered servicemarks of the American Radio Relay League. Incorporated and are used by permission. Copyright 2014 Santa Clara County ARES/RACES. All rights reserved. 45

ICS 214 – Unit Activity Log

- Our version: ICS 214-SCCo
- A record of all major activities and events
- EVERYONE fills out a 214
 - Individuals: a unit of one
 - Teams: Team leader
 - Start when you get assignment (home)
- Occasional message traffic?
 - Just log it right on the 214
- Use multiple pages if necessary
- Turn in to supervisor at end of shift
- Instructions on back

<http://www.scc-ares-races.org/operations.html>

Copyright 2014 Santa Clara County ARES/RACES. All rights reserved. 46

Exercise: ICS-214 Unit Log

- Create an ICS-214 log for the following scenario in City of Xanadu (XND)
 - Incident is “Training Class Exercise”, activation code XND-14-TCE
 - The class will begin at 0900 hours and end at 1200 hours
 - You leave home at 0815 hours
 - You arrive at the training location at 0845 hours
 - The class starts at 0900

Copyright 2014 Santa Clara County ARES/RACES. All rights reserved. 47

Exercise: ICS-214 Activity Log

| | | | |
|--|---|---|--|
| UNIT LOG ICS 214-SCCo ARES/RACES | 1. Incident Name and Activation Number <i>Training Class Exercise</i> <i>XND-14-TCE</i> | 2. Operational Period (Date/Time) <i>12/13/2014</i> <i>12/13/2014</i> From: <i>0900</i> To: <i>1200</i> | |
| | 3. Unit Name / Tactical Call / Designators <i>Your Name</i> | | 4. Unit Leader (Name, Call Sign, ICS Position) <i>Your Name, Your FCC Call Sign</i> |
| 5. Personnel Roster Assigned | | | |
| | Name | Call Sign | ICS Position Home Base/City |
| 6. ACTIVITY LOG | | | |
| Time (24:00) | Major Activities & Events / Occasional Messages (indicate From / To / Msg# / Msg Text) | | |
| <i>0815</i> | <i>Left Home</i> | | |
| <i>0845</i> | <i>Arrived at training class location</i> | | |
| <i>0900</i> | <i>Training class started</i> | | |
| 7. Prepared By (Name, Call Sign, ICS Position) <i>Your Name, Your FCC Call Sign</i> | | 8. Date & Time Prepared <i>08/02/2014 - 1015</i> | 9. Page <i>1</i> of <i>1</i> |

Copyright 2014 Santa Clara County ARES/RACES. All rights reserved. 48

ICS 309 – Communications Log

- Our version: ICS 309-SCCo
- Net Control Operators and stations with high message traffic
- Columns help organize key message tracking info
- Does not replace 214
 - EVERYONE fills out a 214
- Turn in to supervisor at end of shift
- Instructions on back



<http://www.scc-ares-races.org/operations.html>

Copyright 2014 Santa Clara County ARES/RACES. All rights reserved.

49

Example 309 – Resource Net

FROM and TO are usually FCC Call Signs; no message numbers

| COMM Log ICS 309-SCCo ARES/RACES | | 1. Incident Name and Activation Number Mockingbird Heights Mummy Race RIP-13-13T | | 2. Operational Period (Date/Time) From: 10/31/09 To: 11/1/09 From: 2000 To: 0400 | |
|---|--------------|---|--|---|--|
| 3. Radio Net Name (for NCOs) or Position/Tactical Call Resource Net | | | 4. Radio Operator (Name, Call Sign) Wolf Man, W6WOOF | | |
| 5. COMMUNICATIONS LOG | | | | | |
| Time (24:00) | FROM | | TO | | Message |
| ... | Call Sign/ID | Msg # | Call Sign/ID | Msg # | ... |
| 2300 | W6XRL4 | | | | Leaving home – 1313 Mockingbird Lane ODO 123 |
| 2315 | | | W6XRL4 | | H&W - Highway 13 – ODO 141 |
| 2330 | W6XRL4 | | | | Arrived ICP ODO 150; Check-Out |

- Recommended: instead of writing “NC” or “NCO” for yourself, leave the call sign field blank
 - Makes it easier to see which messages were from/to field operators

Copyright 2014 Santa Clara County ARES/RACES. All rights reserved.

50

Example 309 – Message or Tactical Net

FROM and TO are usually tactical call signs; messages are numbered

| COMM Log ICS 309-SCCo ARES/RACES | | 1. Incident Name and Activation Number Mockingbird Heights Mummy Race RIP-13-13T | | 2. Operational Period (Date/Time) From: 10/31/09 To: 11/1/09 From: 2000 To: 0400 | |
|---|--------------|---|--|---|--|
| 3. Radio Net Name (for NCOs) or Position/Tactical Call Event Tactical Net | | | 4. Radio Operator (Name, Call Sign) Herman Munster, K6XRL4 | | |
| 5. COMMUNICATIONS LOG | | | | | |
| Time (24:00) | FROM | | TO | | Message |
| | Call Sign/ID | Msg # | Call Sign/ID | Msg # | |
| 0000 | W6DRAC | | | | Check-In – Assigned tactical Blood bank 1 (BBANK1) |
| 0005 | | | All Checkpoints | | First mummy on course; advise when at your station |
| 0015 | BBANK1 | 107 | MH-ICP | 204 | Blood bank is running short of 0+ blood |
| 0020 | CP1 | | | | First mummy passing checkpoint 1 |

- Use Msg # column for formal message nbrs; otherwise blank
- For tactical messages, instead of writing “NC” or “NCO” for yourself, you can leave the call sign field blank

Copyright 2014 Santa Clara County ARES/RACES. All rights reserved.

51

ICS 309 Start/Shift Change/End of Net Entries

- Log an entry for start of net, shift changes, and end of net
- Helps to figure out which person handled which messages and confirms end of log

| 5. COMMUNICATIONS LOG | | | | | |
|-----------------------|--------------|-------|--------------|-------|---|
| Time (24:00) | FROM | | TO | | Message |
| | Call Sign/ID | Msg # | Call Sign/ID | Msg # | |
| 0900 | | | | | Start Net |
| | | | | | Net Control = Your Name, <your call sign> |
| | | | | | Scribe = Herman Munster, W6XLR4 |
| 1000 | | | | | Shift Change |
| | | | | | Net Control = Herman Munster, W6XLR4 |
| | | | | | Scribe = Your Name, <your call sign> |
| 1100 | | | | | Net Closed |

Copyright 2014 Santa Clara County ARES/RACES. All rights reserved. 52

Exercise: ICS-309 Communications Log

- Create an ICS-309 log for the following scenario in City of Xanadu (XND)
 - Incident is "Training Class Exercise", activation code XND-14-TCE
 - Operational period is from 11:00AM to 2:00PM on December 13, 2014
 - You start the net as NCO for the city's tactical net at 11:45 AM
 - Your scribe is Herman Munster, W6XLR4
 - You receive a message from Shelter 2 to the XND EOC at 11:55 AM
 - Their msg # S2-013; your msg # XND-106; subject = "Bed count"
 - Joe Hamm, KJ6HAM, checks in at 12:10 PM; assigned tactical call "Shelter 1"
 - Betty Ham, KB6HAM, checks in at 12:20 PM; assigned tactical call "Shelter 3"
 - The XND EOC sends a message to Shelter 3 at 12:50 PM
 - Your msg # XND-107; their msg # S3-1004; subject = "Inventory checklist"
 - You receive a message from Shelter 1 to the XND EOC at 1:05 PM
 - Their msg # S1-021; your msg # XND-108; subject = "Supply status"
 - You send to All Shelters at 1:10 PM, your msg # XND-109, "Exercise complete"
 - Shelters respond with their msg #: S1-022; S2-014; S3-1005
 - You close the net at 1:30 PM

Copyright 2014 Santa Clara County ARES/RACES. All rights reserved. 53

Exercise: ICS-309 Communications Log

| COMM Log | | 1. Incident Name and Activation Number | | 2. Operational Period (Date/Time) | |
|--|--------------|--|-------------------------------------|-----------------------------------|--|
| ICS 309-SCCo ARES/RACES | | Training Class Exercise XND-14-TCE | | 12/13/2014 | 12/13/2014 |
| | | | | From: 1100 | To: 1400 |
| 3. Radio Net Name (for NCOs) or Position/Tactical Call | | | 4. Radio Operator (Name, Call Sign) | | |
| Xanadu Tactical Net | | | Your name, your FCC call sign | | |
| 5. COMMUNICATIONS LOG | | | | | |
| Time (24:00) | FROM | | TO | | Message |
| | Call Sign/ID | Msg # | Call Sign/ID | Msg # | |
| 1145 | | | | | Start Net |
| | | | | | Net Control = Your Name, <your call sign> |
| | | | | | Scribe = Herman Munster, W6XLR4 |
| 1155 | Shelter 2 | S2-013 | EOC | XND-106 | Bed count |
| 1210 | KJ6HAM | | | | check-in – assigned tactical = Shelter 1 |
| 1220 | KB6HAM | | | | check-in – assigned tactical = Shelter 3 |
| 1250 | EOC | XND-107 | Shelter 3 | S3-1004 | Inventory checklist |
| 1305 | Shelter 1 | S1-021 | EOC | XND-108 | Supply status |
| 1310 | | XND-109 | All Shelters | | Exercise complete --- Confirmation #s follow |
| 1311 | | | Shelter 1 | S1-022 | |
| 1312 | | | Shelter 2 | S2-014 | |
| 1313 | | | Shelter 3 | S3-1005 | |
| 1330 | | | | | Net closed |

Copyright 2014 Santa Clara County ARES/RACES. All rights reserved. 54

Exercise: ICS-309 Communications Log

- Don't forget the bottom of the form!

| | | |
|---|---|--|
| 6. Prepared By (Name, Call Sign) <i>Your Name, Your Call Sign</i> | 7. Date & Time Prepared <i>12/13/2014; 1400</i> | 8. Page <u>1</u> of <u>1</u> |
|---|---|--|

- What about your ICS-214 Activity Log?

| 6. ACTIVITY LOG | |
|-----------------|--|
| Time (24:00) | Major Activities & Events / Occasional Messages (Indicate From / To / Msg# / Msg Text) |
| ... | ... |
| 1145 | Started Tactical Net – see ICS-309 |
| 1330 | Closed Tactical Net |

Copyright 2014 Santa Clara County ARES/RACES. All rights reserved. 55

Procedure for Remote Transfer of Net

NC1 = Current Net Control NC2 = Replacement Net Control

| Who | What to Say |
|-------------|--|
| NC2 | Announces presence; ready for net control transfer |
| NC1 | Acknowledge; announce start of H&W; requests NC2 to acknowledge each response with a tactical call such as "net2" (or similar) |
| NC1 | Calls each person, one at a time, <u>phonetically</u> |
| Individuals | Respond as usual (for resource net: street location, odometer, call sign) |
| NC2 | "acknowledged, net2" or "roger, net2"; or "say again ..." |
| NC1 | Acknowledges; repeats process for rest of people on net |
| NC1 | Fills in NC2 on any other pending issues; asks if ready to take net |
| NC2 | Acknowledges all info; confirms ready |
| NC1 | Announces transfer of net |
| NC2 | Announces self as net control |

Copyright 2014 Santa Clara County ARES/RACES. All rights reserved. 56

Exercise: Transfer of Level 3 Resource Net

- Need 3-4 volunteers
 - Net Control 2
 - Scribe for Net Control 2 (optional)
 - Traveler 1 & 2
- Rest of class: log as if you were Net Control 2 with no scribe
 - Use both ICS-309 and Travel Tracking Form
- Before you start:
 - Net Control 1: write down traveler call signs
 - Travelers: make up a street location and odometer reading
- Follow the script ...
 - "<...>" indicates where you substitute your actual information
 - Example: <NC2 call sign> means you say Net Control 2's call sign
 - Net Control 2: fill in ICS-309 as you go
 - Scribe for NCO2: fill in Travel Tracking Form as you go

Copyright 2014 Santa Clara County ARES/RACES. All rights reserved. 57

Exercise: Transfer of Level 3 Resource Net

| Who | What to Say |
|------------|---|
| NC2 | Net control, this is <NC2 call sign>, ready for net control transfer |
| NC1 | <NC2 call sign> roger; Break; All stations - I will now conduct a H&W check; when I call you, respond with street location, odometer and your call sign; <NC2 call sign> after each response, either request a fill or acknowledge; use tactical call net-2 |
| NC2 | Roger, net2 |
| NC1 | <traveler 1 call sign spelled phonetically>, health and welfare |
| Traveler 1 | <street location> <odometer> <call sign> |
| NC2 | Roger, net2 |
| NC1 | Roger. <traveler 2 call sign spelled phonetically>, health and welfare |
| Traveler 2 | <street location> <odometer> <call sign> |
| NC2 | Say again odometer |
| Traveler 2 | <odometer> <call sign> |
| NC2 | Roger, net2 |
| NC1 | Roger. Health and welfare check complete |

Continued on next page ...

Copyright 2014 Santa Clara County ARES/RACES. All rights reserved. 58

Exercise: Transfer of Level 3 Resource Net

Continued from previous page ...

| Who | What |
|-----|--|
| NC1 | Net2, do you need any other fills? |
| NC2 | Negative |
| NC1 | O.K. Additional information follows: You need to contact Jenny at 867-5309 to unlink the repeaters after you close the net. |
| NC2 | Acknowledged. |
| NC1 | Are you ready to take the net? |
| NC2 | Affirmative. |
| NC1 | This is <NC1 call sign> turning over net control to <NC2 call sign>; <NC1 call sign> clear. |
| NC2 | This is <NC2 call sign>, net control for the Santa Clara County Resource Net. This is a directed net... |

Copyright 2014 Santa Clara County ARES/RACES. All rights reserved. 59

Resulting Logs for Net Control 2 (New NC)

ICS-309

| 5. COMMUNICATIONS LOG | | | | | |
|-----------------------|--------------|-------|--------------|-------|--------------------------------------|
| Time (24:00) | FROM | | TO | | Message |
| | Call Sign/ID | Mag # | Call Sign/ID | Mag # | |
| 1150 | <New NC> | | NC | | Check-in -- assigned "net2" tactical |
| 1151 | | | <Traveler1> | | H&W Maple Street; odo 123 |
| 1152 | | | <Traveler2> | | H&W Red Street; odo 321 |
| 1153 | <Old NC> | | ALL | | Relinquished net; checked out |
| 1153 | <New NC> | | ALL | | Taking over as new net control |

Travel Tracking Form

| 3. Call Sign | Check-In | Depart | 4. Traveler Status (00:00 24-hour -> <input checked="" type="checkbox"/>) | | | | Arrive | Check-Out | 5. Notes |
|--------------|----------|--------|---|--------|--------|--------|--------|-----------|----------|
| | | | HS/W-1 | HS/W-2 | HS/W-3 | HS/W-4 | | | |
| <Traveler1> | ---- | ---- | ✓ | | | | | | |
| <Traveler2> | ---- | ---- | ✓ | | | | | | |

Copyright 2014 Santa Clara County ARES/RACES. All rights reserved. 60

END

Copyright 2014 Santa Clara County ARES/RACES. All rights reserved. 61




Message Passing
2014 Year End Summary




Santa Clara County ARES®/RACES
Updated 2014-12-11


ARES and Amateur Radio Emergency Service are registered servicemarks of the American Radio Relay League Incorporated and are used by permission.
Copyright 2014 Santa Clara County ARES/RACES. All rights reserved.

Agenda

- Review of basic concepts
- Message passing
 - Basics
- Message Forms
 - Formal
 - Informal
- Exercises, exercises, exercises...




Copyright 2014 Santa Clara County ARES/RACES. All rights reserved.

Points to Remember... 


- Messages must be passed correctly and concisely
- Illegible messages should go back to the Shift Supervisor or message originator for clarification.
- If you are given a verbal message, write it out, and get approval fro

Copyright 2014 Santa Clara County ARES/RACES. All rights reserved. 64

Points to Remember... 

- Identify with tactical call, and use your FCC call every 10 minutes and at end of communication
- Transmit only facts, not conjecture
- Avoid sending personal or confidential information that you don't want seen on the "Nightly News"
 - Dead bodies

Copyright 2014 Santa Clara County ARES/RACES. All rights reserved. 65

Effective Radio Techniques 

- Make only necessary transmissions
- Use procedures and techniques to reduce the number of transmissions
- Use a minimum of words to convey a message
- Drop PTT when not speaking; avoid "open mic" or "dead air"

Copyright 2014 Santa Clara County ARES/RACES. All rights reserved. 66

Use Control Phrases

- These words are spoken to begin or end the message, indicate information for the receiving operator, or to separate parts of the message
 - “All stations standby” or “All stations hold your traffic”

Copyright 2014 Santa Clara County ARES/RACES. All rights reserved.

67

Message Passing Do's & Don'ts

- Do not repeat the message
- Do not use Q-codes or 10-codes
- Do say numbers correctly: 11 is “figures one one”
- Do say time and date correctly
- Do minimize words; use Prowords:
 - “the date is ...” → “date ...”
 - “Sorry, I didn't get that. Can you repeat ...” → “say again ...”
- Do record message #s
- Do send your message # when done receiving
- Do get acks from all stations in multi-station msg passing
- Do practice copying call signs
- Do practice standard ITU phonetics

Copyright 2014 Santa Clara County ARES/RACES. All rights reserved.

Message Passing Exercise



Copyright 2014 Santa Clara County ARES/RACES. All rights reserved.

Catch that Callsign????

Comprehension is critical

- Take out your form one
- The instructor will read a list of callsigns
- See if you can get them all correctly.

Copyright 2014 Santa Clara County ARES/RACES. All rights reserved.

How did you do?

- KJ6ACE
- KI6DDX
- KJ6CBR
- KI6RLD
- WU6V
- KI6IUT
- AE6ZY
- W6HW
- KK6VF
- KG6UWO
- KC6SKM
- KZ6O

Copyright 2014 Santa Clara County ARES/RACES. All rights reserved.

Message Handling Prowords

- I SPELL –
 - Used to indicate you are going back to spell the group just voiced. It is used with ONE GROUP AT A TIME, and is said IMMEDIATELY after voicing the group, followed by either phonetic or letter spelling of the group.
- I SAY AGAIN – to repeat for clarity
 - Say the group(s), then "I say again", repeat the group(s), and then continue. It is wise to limit repeats for clarity to one group at a time to avoid confusion. In bad radio conditions, however, repeating phrases or whole lines of a message can increase the chance for correct copy.
- SAY AGAIN ... – to request a repeat
 - Used by the receiver to request a repeat. Followed by a qualifier. Example: SAY AGAIN WORD AFTER ...

Copyright 2014 Santa Clara County ARES/RACES. All rights reserved.

Message Handling Prowords

- **WORD AFTER** "Say again word after..."
 - Respond with group or part requested
- **WORD BEFORE** "Say again word before..."
 - Respond with group or part requested;
- **BETWEEN** "Say again between... and..."
 - Respond with group(s) between blanks, observing limits
- **ALL AFTER** "Say again all after..."
 - Respond with all groups after the one specified to the end of the message, unless limited
- **ALL BEFORE** "Say again all before..."
 - Respond with all groups in the message to the group specified, unless limited

Copyright 2014 Santa Clara County ARES/RACES. All rights reserved.

73

Some Rules of Thumb

- **PAUSES**
 - Pauses are crucially important tools in voicing messages. Pauses exist between words/letters, groups (essential for clarity and separation)
- **SPELLING**
 - Spell with letters or phonetics based on radio conditions, interference, or type of group. Use only standard phonetics.
 - ALWAYS use standard ITU phonetics
- **PUNCTUATION (per SCC RACES practice)**
 - Written - "." will continue to be used at the end of a sentence, not a separate word group.
Spoken - "." will be said as "period"
 - Written - "?" will continue to be used at the end of a sentence, not a separate word group.
Spoken - "?" will be said as "question mark"

Copyright 2014 Santa Clara County ARES/RACES. All rights reserved.

Message Forms - formal

Copyright 2014 Santa Clara County ARES/RACES. All rights reserved.

**Message Forms -
informal**

Copyright 2014 Santa Clara County ARES/RACES. All rights reserved.

Critical components to capture....
 Informal messages could be received verbally, or on any manner of writing material. From neatly written to total scribble and cryptic notes...

It's most important to capture the following key elements. At a minimum you might get:

- Who to / Who from / message details

Make sure you add the following:

- Date / Time / contact number/method

Copyright 2014 Santa Clara County ARES/RACES. All rights reserved.

**Example of an unfamiliar form:
Donut Ordering Form**

Date: 01-07-11
 Time: 1050 hrs.
 Person Ordering: John Henry
 Glazed: 1 doz
 Jelly: 1
 Plain: 24
 Bear Claws: 1/2 doz.

Copyright 2014 Santa Clara County ARES/RACES. All rights reserved.

Message Passing Exercise



Copyright 2014 Santa Clara County ARES/RACES. All rights reserved.

INFORMAL

- Take out a Form 1

- What was missing?

Copyright 2014 Santa Clara County ARES/RACES. All rights reserved.

83

Message Passing – problem solving

Copyright 2014 Santa Clara County ARES/RACES. All rights reserved.

If an Operator is sending a message poorly (say a ICS213) – what do you do?

- You can suggest a process of, “left to right, top to bottom, 5- words at a time”
- If that doesn’t work, then you switch to a more directive approach by asking for individual fields: message number?, date?, time? To position?, etc.
- If, after going through that once, and the next message isn’t done properly, might be time to suggest another operator (through discrete channels)

Copyright 2014 Santa Clara County ARES/RACES. All rights reserved.

If an Operator is sending a message poorly (using an unfamiliar form you haven’t seen) – what do you do?

- Try suggesting: “First, tell me the names of each of the fields on the form, left to right, top to bottom. Pause after each one (or five) and wait for an acknowledgement by me. If the fields are numbered, tell me the number when you tell me the field name”
- Then ask for each piece of info by the field name.

Copyright 2014 Santa Clara County ARES/RACES. All rights reserved.

Message Passing Exercise



Copyright 2014 Santa Clara County ARES/RACES. All rights reserved.



